



LEFROY BROOKS

1 8 2 8 T R O U T M A N S T R E E T
R I D G E W O O D N E W Y O R K N Y 1 1 3 8 5 U S A
T : + 1 (7 1 8) 3 0 2 5 2 9 2 F : + 1 (7 1 8) 3 0 2 4 1 7 7

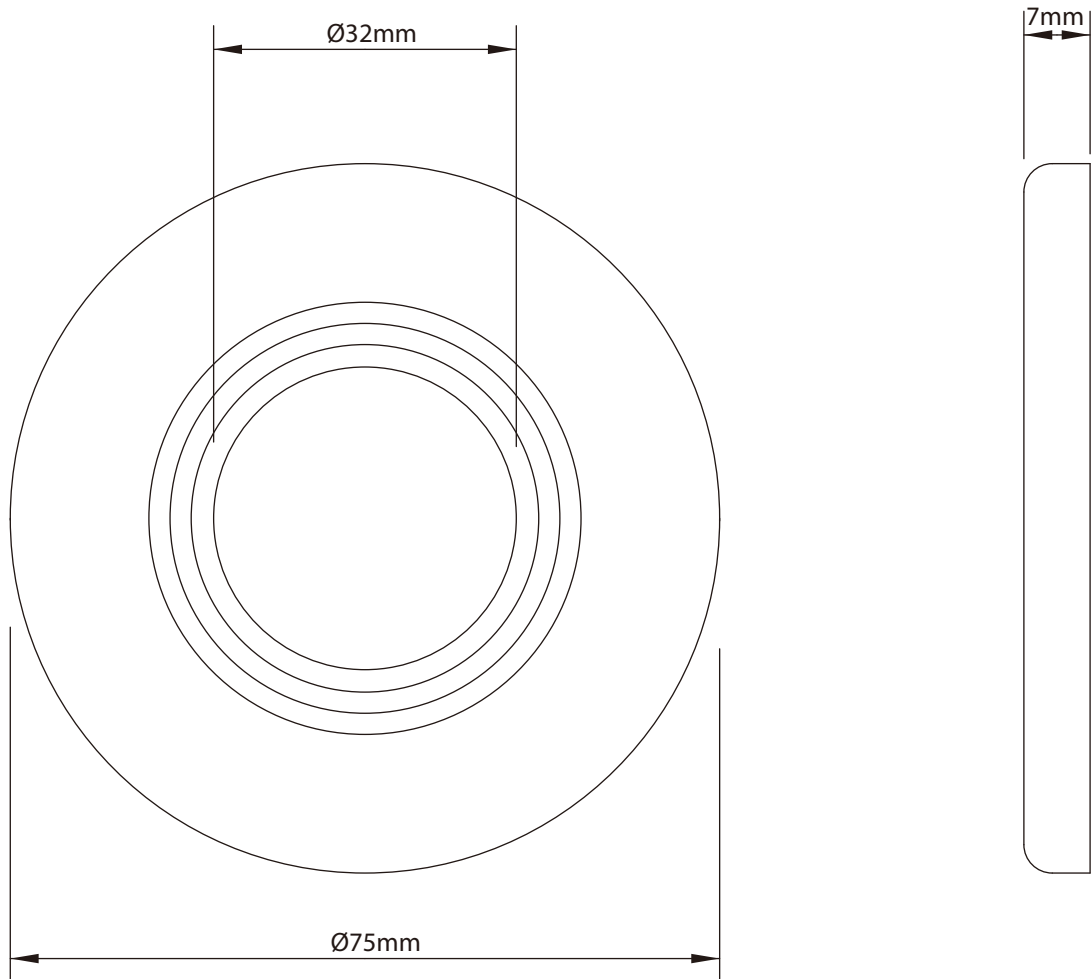
Y1-2012

HEAD FLOW CONTROL ESCUTCHEON PLATE , TO SUIT M1-1015

DIMENSIONAL DATA SHEET

DATE: 18 February 2013

No: A66F365-52



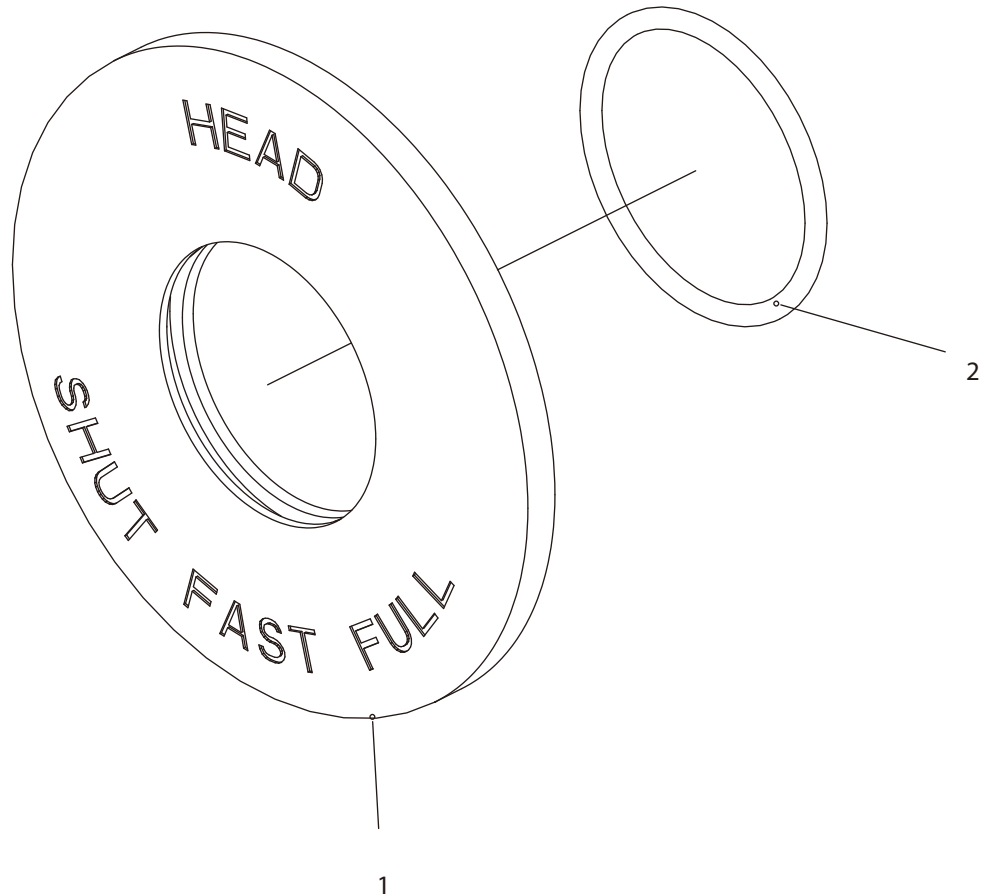
COPYRIGHT © LBIP LTD 2012. ALL RIGHTS RESERVED.

DIMENSIONS IN INCHES & MILLIMETRES

WHILST EVERY EFFORT IS MADE TO ENSURE THE ACCURACY OF THESE DATA SHEETS THEY ARE SUBJECT TO CHANGE WITHOUT NOTICE AS PART OF THE COMPANY'S PRODUCT DEVELOPMENT PROCESS

Y1-2012

HEAD FLOW CONTROL ESCUTCHEON PLATE , TO SUIT M1-1015



- 1 Escutcheon (071279-52)
- 2 O-ring (004044)

Standards

Meets A112.18.1

Please note :
Final achievable flow rate is dependent on the outlets fitted, see relevant outlets (spouts, roses, sprays) for fully assembled product flow rate.